

VN 2929/160

for unrebated heavy-duty doors with block frames and blind frames



Product features

- for unrebated heavy-duty doors
- for block and blind frames
- internal torsion-proof pin
- concealed, maintenance-free axial-radial slide bearings

Technical details

Attributes	Value
Load capacity	160,0 kg
Knuckle length	160,0 mm
Knuckle diameter	22,5 mm
Pin diameter	10,0 mm
Cutter diameter	24,0 mm
Material thickness	3,5 mm
Screws	5,0 x 50,0 mm

Note

The load capacity mentioned above refers to the use of 2 hinges per door leaf (1 x 2 m), for detailed information please look at the chapter "technical information".

Quality marks



Certification CE



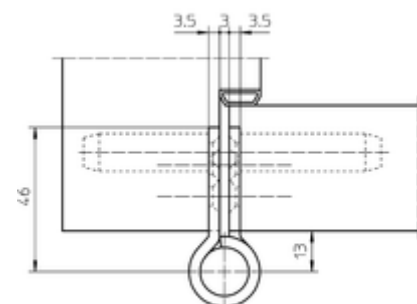
Certification IFT

Classification key

4	7	7	1 ⁻¹	1	— ⁻²	1	14
---	---	---	-----------------	---	-----------------	---	----

^{*1} Test evidence for functional doors to be achieved with full door sets and assemblies.

^{*2} depending on the finish



block frame

VARIANT VN - VN 2929/160

Also available with security pin (MSTS).

Screws 4,5 x 50,0 mm can be used as an alternative for lowering the depth.

Suitable for

Universal milling frame
Template 5 250353 5

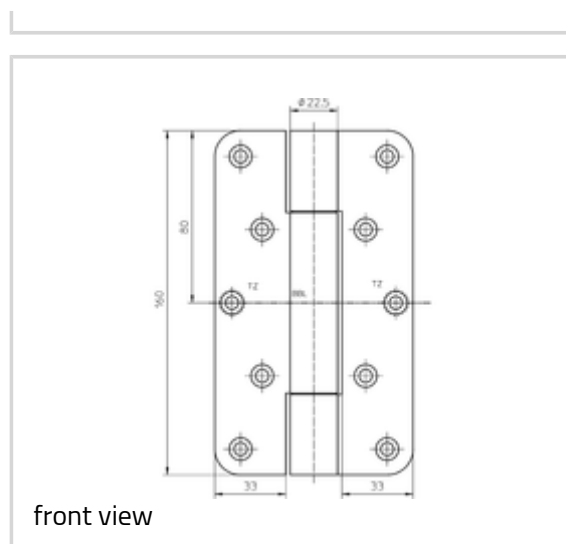
Function range



fire resistance



smoke resistance



Item

Finish(es)	018-satin nickelled/F2
OF-NR.	018
VPE	pack of 2
DIN	DIN right and left hand
Item No.	5 050521 0 01802
EAN	4015471021603
Finish(es)	030-polished brassed
OF-NR.	030
VPE	pack of 2
DIN	DIN right and left hand
Item No.	5 050521 0 03002
EAN	4015471006907
Finish(es)	037-satin chromed/F1
OF-NR.	037
VPE	pack of 2
DIN	DIN right and left hand
Item No.	5 050521 0 03702
EAN	4015471025434
Finish(es)	040-Satin Stainless Steel
OF-NR.	040

VARIANT VN - VN 2929/160

VPE	pack of 2
DIN	DIN right and left hand
Item No.	5 050521 0 04002
EAN	4015471006891
Finish(es)	042-pol. Stainless Steel
OF-NR.	042
VPE	pack of 2
DIN	DIN right and left hand
Item No.	5 050521 0 04202
EAN	4015471074425
Finish(es)	079-coloured
OF-NR.	079
VPE	EUR-pallet
DIN	DIN right and left hand
Item No.	5 050521 0 07975
EAN	4015471006921